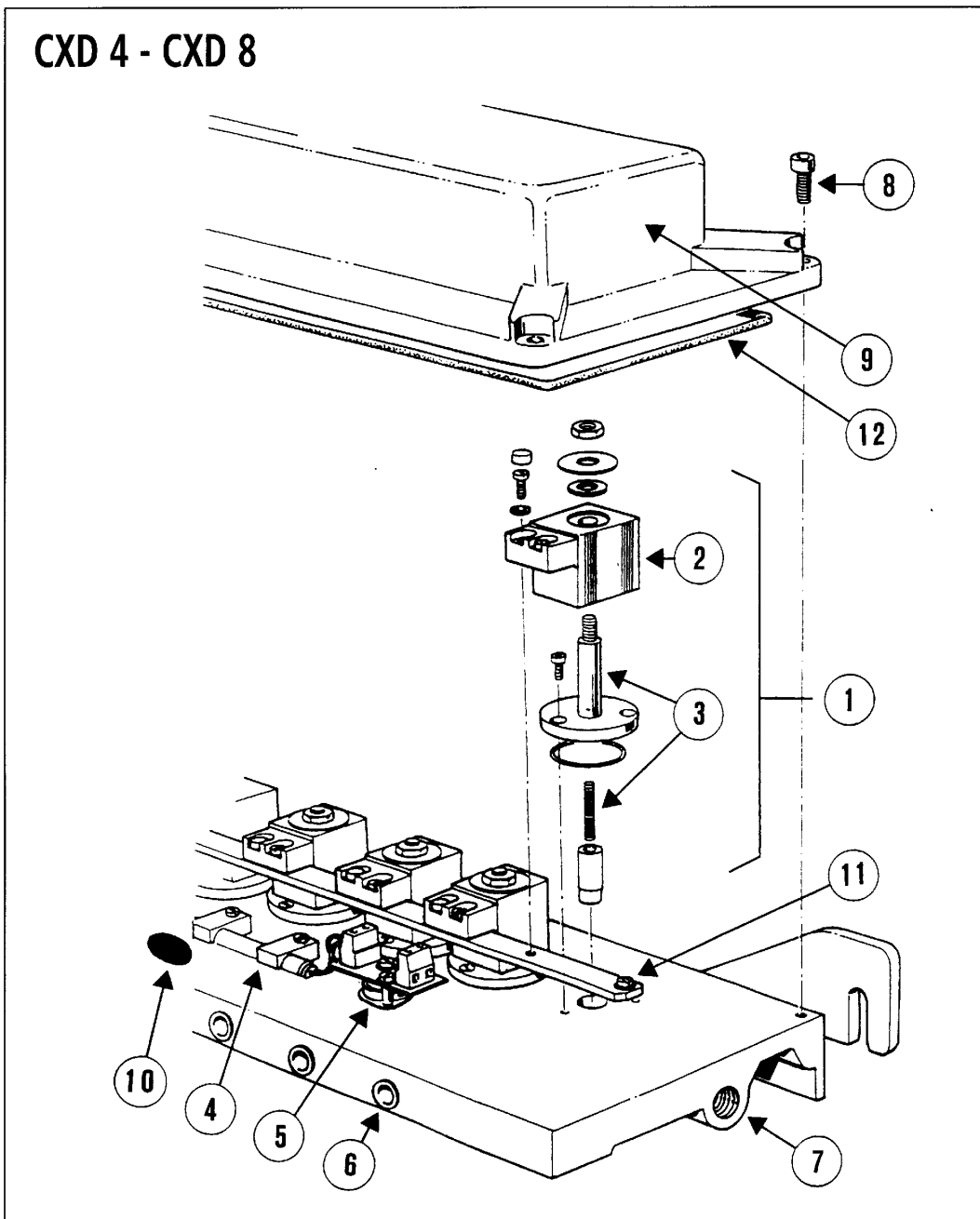


CXD 4 - CXD 8



SPARE PARTS

POS.	PART DESCRIPTION	CODE
(1)	Pilot group complete with coil	ELA2 - .../..(*)
(2)	Coil (*)	SA2 - .../..(*)
(3)	Plunger with spring	ECL 28 X
(4)	Heater + thermostat For CXD 1-2-3-4	GRT 70 220 V
(5)	Heater + thermostat for CXD 5-6-7-8	GRT 120 220 V

(*) specify voltage, frequency (or DC).

RECOMENDED SPARE PARTS

FOR START UP:

≥ 5% of supply (min. 1 piece):

- pilot group (1), complete with coil and connector.

FOR FIRST 2 YEARS OF SERVICE:

≥ 10% of supply (min. 2 pieces):

- pilot group (1), complete with coil and connector.

ELECTRICAL CONNECTION

- | | |
|---|---|
| A | Unscrew the screws (8) and remove cover (9). |
| B | Connect electric wires as shown [E1] on following sheet.
Cable entry (10): 3/8" gas conic.
Use multipolar cable: 1 wire to common pre-wired (11), +1 wire to each coil. |
| C | Connect heater thermostat (optional), see [E2] on following sheet. |
| D | Reassemble the cover (9) make sure of correct position of gasket (12). |